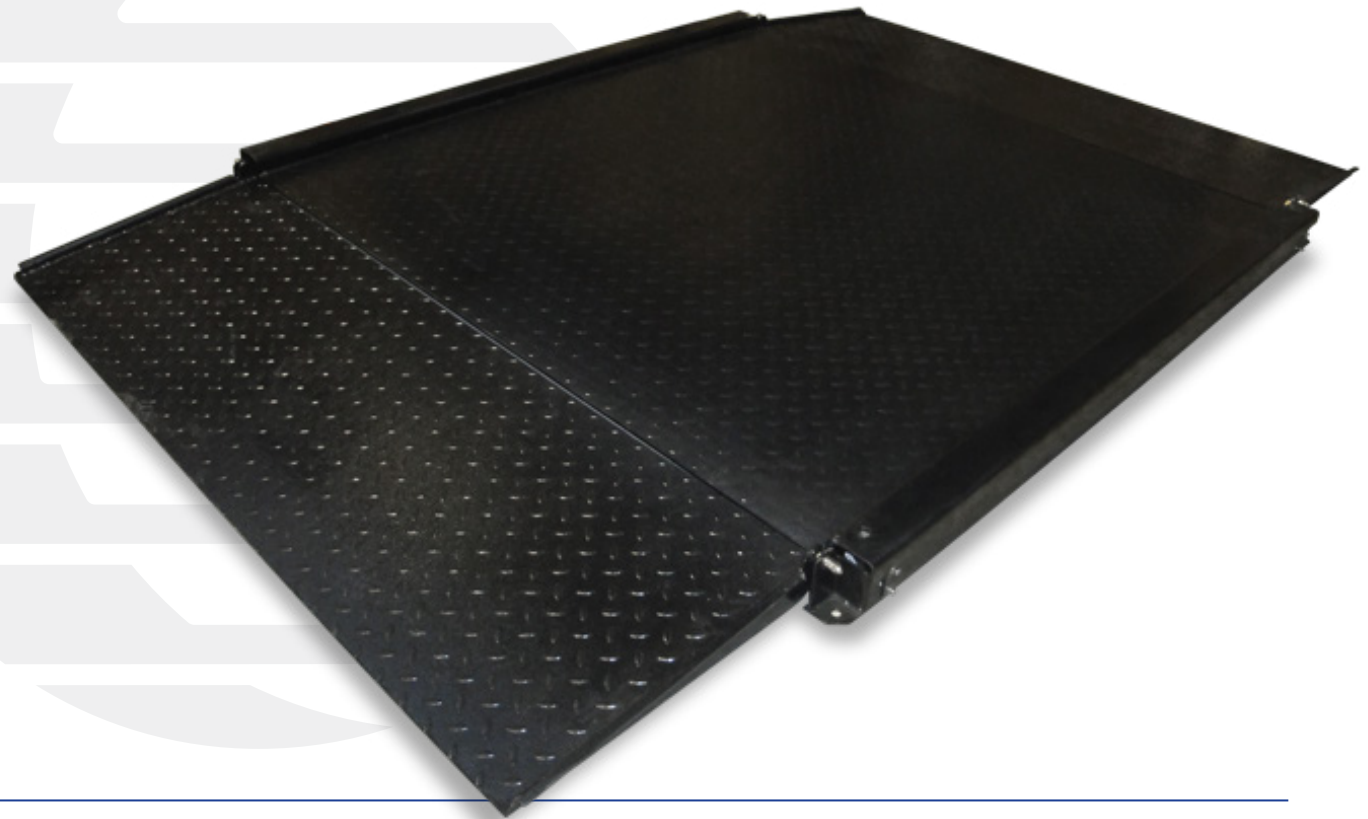


# Low Profile Floor Scale

## LPS-WW

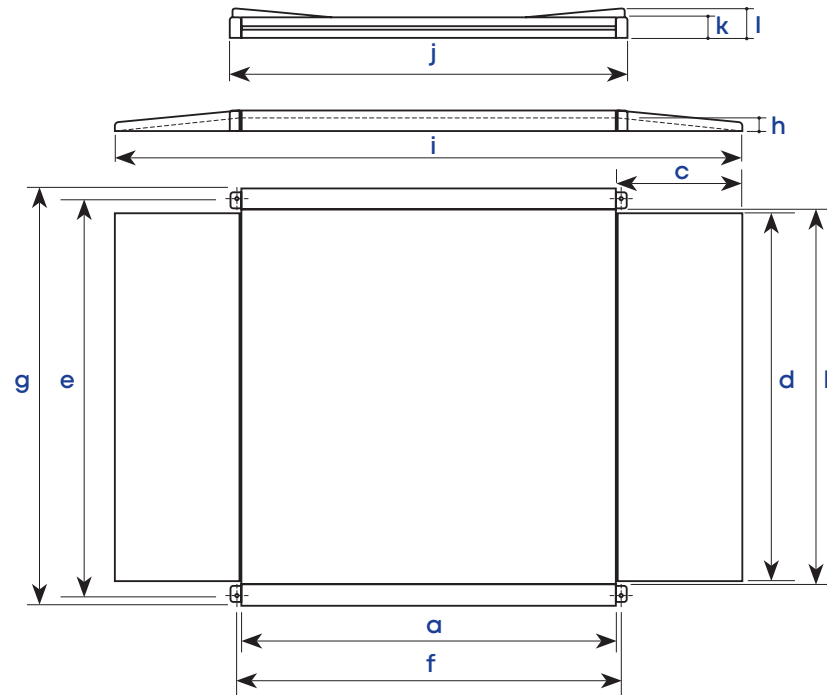
- Low Profile Floor Scale
- Certified for weights and measures (legal-for-trade) applications
- Diamond plate 5 mm thick in steel
- 2 folding access ramps included
- 5 output metres of cable included
- Junction box in ABS, IP66 protection
- Load cells OIML R-60 C3, in steel, IP67 protection



# Low Profile Floor Scale LPS-WW

## Features

- Platform with 4 load cells, with low profile
- It can be used in legal metrology
- Diamond plate 5 mm thick in steel
- Installation on ground
- Lateral access to the junction box
- 2 folding acces ramps included
- 5 output metres of cable included
- Junction box in ABS, IP66 protection
- Steel framework, in cold formed sheet 3 mm thick
- Load cells OIML R-60 C3, in steel, IP67 protection



## Technical Specifications

DIMENSIONS (mm)	A	B	C	D	E	F	G	H	I	J	K	L
1200x1200	1200	1200	500	1150	1182	1240	1370	50	2210	1286	82	137
1500x1500	1500	1500	500	1450	1592	1538	1670	50	2510	1584	77	120

h: weighing surface height

CODE #	Capacity (kg)	Readout (g)	Dimensions (mm)	Packing Dimensions (mm)	Packing Weight (kg)
LPS.WW.12.12	1500	500	1200 x 1200	1320 x 1390 x 120	180
LPS.WW.15.15	1500	500	1500 x 1500	1620 x 1720x 120	230

**WEIGHTRON** BILANCIAI  
**BILANCIAI** INDUSTRIAL WEIGHING SPECIALISTS GROUP

**Head Office**  
 Titan Works,  
 Bridge Way,  
 Chesterfield Trading  
 Estate,  
 S41 9QJ

**0808 196 0906**  
[sales@weightroncb.co.uk](mailto:sales@weightroncb.co.uk)  
[www.weightron.com](http://www.weightron.com)

Agent / Dealer