

# Pallet Weighing System

## TA100 model



User-friendly

Robust and versatile

Fast and accurate portable weighing solutions

**WorldWEIGH**

The simplest solution for weighing

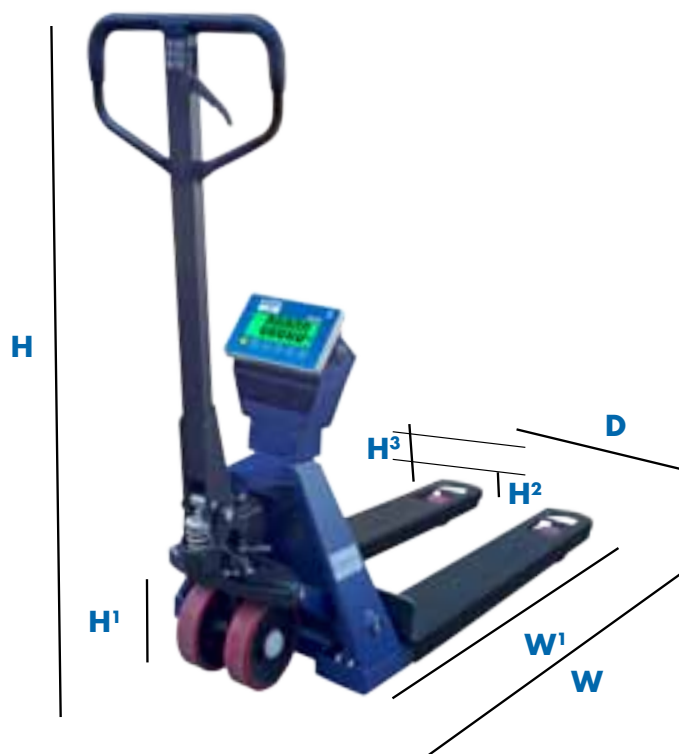
# Pallet Weighing System

## Applications - Functions

Weight readout  
Counting  
Dynamic weighing  
Capacity tracker

## Key Accessories

LP55 Thermal printer



## Technical specifications

<b>Model</b>	TA100
<b>Capacity</b>	2000 kg
<b>Division</b>	500 g
<b>Weighing units</b>	kg, lb
<b>Overall Dimensions (wxdxh) - (w1) - (h1) - (h2;h3) mm</b>	1550x540x1230 - 1150 - 180 - 77;192
<b>Backlit LCD Display 40 mm</b>	•
<b>LED for weight control</b>	•
<b>RS-232 interface</b>	•
<b>Built-in rechargeable battery provides power for 90 hours of continuous use</b>	•
<b>Auto sleep/power down function to save battery life</b>	•
<b>Net weight</b>	125 kg

• standard  
- Not available



**Società Cooperativa Bilanciai Campogalliano**  
41011 Campogalliano (MO) Italy - S.Ferrari, 16  
Ph. +39 059 / 89.36.11 - Fax +39 059 / 52.70.79  
**Service** Ph. +39 059 / 89.36.12 - Fax \*39 059 / 52.72.94  
[www.coopbilanciai.it](http://www.coopbilanciai.it) - [cb@coopbilanciai.it](mailto:cb@coopbilanciai.it)

Agent / Dealer