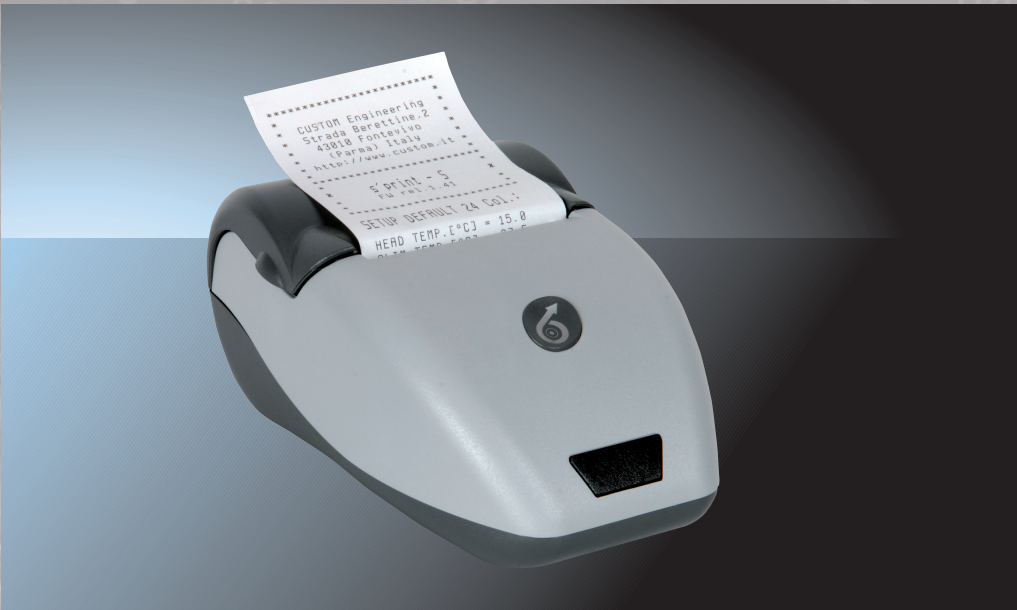


Thermal printer



model STT 58



STT 58 Thermal printer

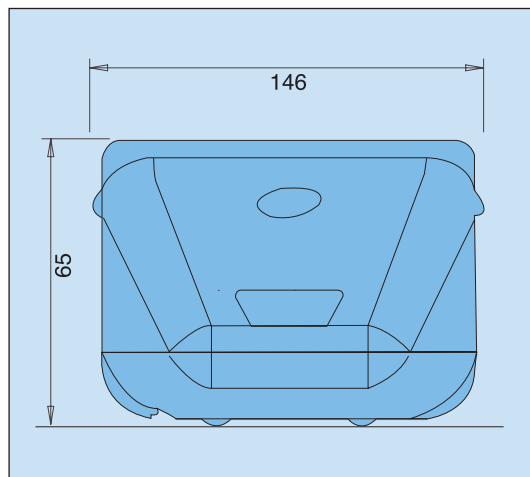
Technical specifications

- Resolution 203dpi (8 dots/mm)
- Printing speed (mm/sec) 50 (It depends by the battery status, the printing typology and the environment temperature)
- Printing direction Straight, reverse
- Printing methods Thermal line printing
- Paper width 58 mm
- Paper thickness 60 µm
- Roll dimension 57.5 mm ± 1mm
- Character set ASCII standard, International
- Columns 24 (40/42 version is available)
- Type styles Normal, double height/width, negative, underlines, expanded
- Data buffer 128 Byte
- Interface Serial 9 pin + IRDA
- Flash memory 32 KB
- Graphic memory 1 logo da 384 x 85 dots
- Drivers: Win 2K / XP
- Drivers Win 2K / XP
- Power supply 13-33 Vdc / 0.6A (battery charger)
- Power consumption 925 mA
- Safety EN60950 2001
- Marks CE, TUV, RoHS compliant
- Dimension (WxDxH) 146x88x65mm
- Weight 0,370 kg (without paper roll)

Main features

- Continuous-form thermal printer
- Portable printer for professional applications
- Highly compact and lightweight
- Automatic paper feed
- Complete with out-of-paper and black mark sensor, the printer supports an upgradeable customer logo and allows printing the most popular barcodes: EAN 13, EAN 8, CODE 39, ITF, CODEBAR

Le caratteristiche The above mentioned features are characteristics of the printer, which will be dimensioned case by case to suit the associated electronic weight indicator.



<pre>Data 30/06/2010 11:47 Num. Progressivo 8 Merce 0001 PATATE Netto N 5000 kg</pre>	<pre>Data 30/06/2010 11:47 Num. Progressivo 9 Merce 0001 PATATE Netto N 5000 kg</pre>
<pre>Data 30/06/2010 11:44 Num. Progressivo 3 Merce 0001 PATATE Netto N 9393 kg</pre>	<pre>Data 30/06/2010 11:45 Num. Progressivo 4 Merce 0002 CAROTE Netto N 11048 kg</pre>
<pre>Data 30/06/2010 11:45 Num. Progressivo 5 Merce 0002 CAROTE Netto N 6047 kg</pre>	<pre>Data 30/06/2010 11:45 Num. Progressivo 6 Merce 0002 CAROTE Tara PT 2500 kg Netto N 8547 kg</pre>
	<pre>Data 30/06/2010 11:46 Num. Progressivo 7 Merce 0001 PATATE Tara PT 2500 kg Netto N 8547 kg</pre>

Print examples



Società Cooperativa Bilanciai Campogalliano
41011 Campogalliano (MO) Italy - Via S. Ferrari, 16
Tel. +39 059 / 89.36.11 - Fax +39 059 / 52.70.79
www.coopbilanciai.it - cb@coopbilanciai.it

Agent / Dealer