

Tag printer



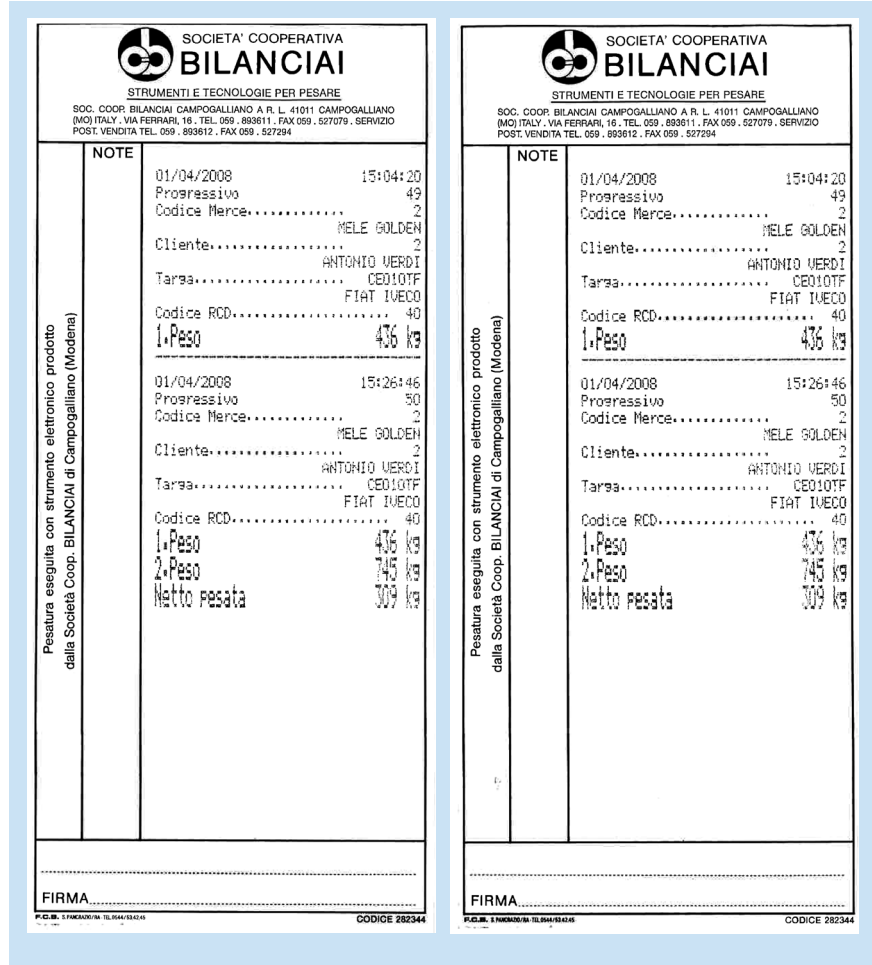
model STC 182



STC 182 Tag printer

Technical specifications

- Print speed 2.1 lps
- Print method 7-pin, shuttle impact dot matrix
- Paper Dimensions (mm) 80 (W) x 69 (L) to 182 (W) x 257 (L)
- Thickness (mm) 0.09 to 0.25 (total thickness with copy: ~ 0.35)
- Print font Font 5 x 7 / 7 x 7
- Column capacity (columns) 35 / 42
- Character size (mm) 1.6 (W) x 2.9 (H) / 1.3 (W) x 2.9 (H)
- Character set 95 Alphanumeric, 32 International
- 128 x 4 Graphic
- Characters per inch 13.5 cpi / 16.2 cpi
- Interfaces RS-232, Bi-directional parallel
- Data buffer 512 bytes or 35 bytes
- Copy capability One original and two copies
- Inked ribbon ERC-27 (Black)
- Ribbon life 1,000,000 characters
- Power 24 VDC \pm 10%
- Power consumption Approx. 600 mA (mean)
- D.K.D.function 2 drivers
- Overall dimensions (mm) 180 (W) x 190.5 (D) x 101.5 (H)
- Mass (Approx.) 1.6 kg

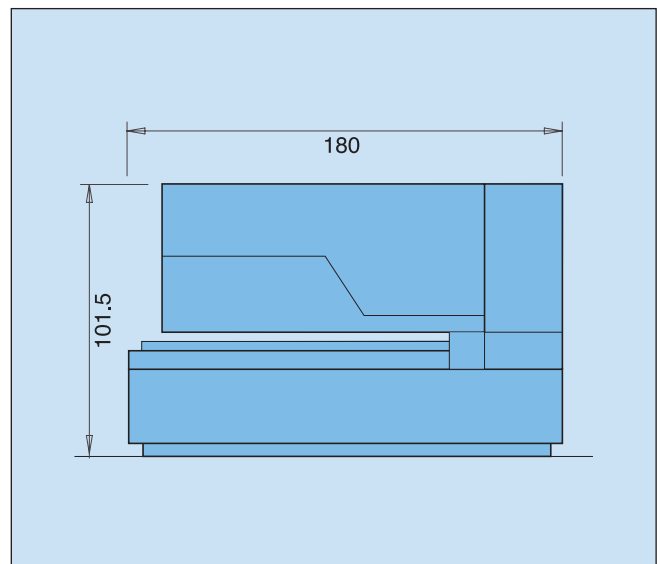


Print examples

Main Feature

- Alphanumeric impact printer to print multiple tags (4 copies) of the weighing data managed by the weight indicator
- Full set of control codes and countless printing possibilities ranging from text rotation to enlarged, lengthened, quadrupled characters, and more
- Exceptional versatility ideal for Coop. Bilanciai weight indicators

The above mentioned features are characteristics of the printer, which will be dimensioned case by case to suit the associated electronic weight indicator



SOCIETÀ COOPERATIVA
BILANCI AI
Weighing Instruments and Technologies

Società Cooperativa Bilanciai Campogalliano
41011 Campogalliano (MO) Italy - Via S. Ferrari, 16
Tel. +39 059 / 89.36.11 - Fax +39 059 / 52.70.79
www.coopbilanciai.it - cb@coopbilanciai.it

Agent / Dealer