

Thermal Printer



STB Q3 model



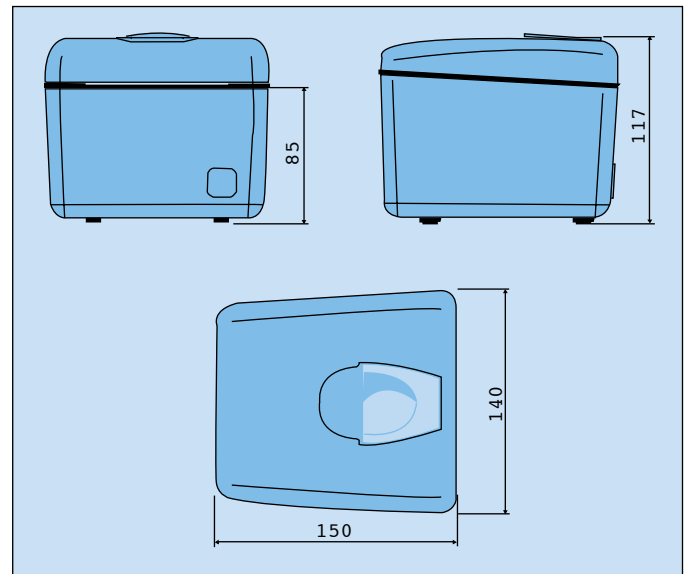
STB Q3 Thermal Printer

Technical characteristics

- Number of dots: 8 dots / mm
 - Resolution: 203dpi
 - Printing speed (mm/sec) 150
 - Paper width: 80mm
 - Paper Weight: 55 g/m2
 - Paper Thickness: 61 µm
 - Roll Dimension: max diam. 80mm
 - Interfaces: Serial 9 pin
 - Data Buffer: 4 KB
 - Flash Memory: 384 KB
 - Power supply: 24 Vdc - 10% (External power supply)
 - Power consumption: 1,5 A (50% printing rate)
-
- MTBF: 360.000 hours (electronic board)
 - Safety: EN60950 +A1+A2+A3+A4
 - Marks: CE, RoHS Compliant
 - Dimensions: (LxPxA) 140x150x117mm
 - Weight: 0,9 Kg

General characteristics

- Excellent printing quality also with graphics and, at the same time, less consumption
- Elegant design, developed to perfectly integrate in all environments
- Interface RS232
- 80mm paper width/80mm diameter frontal ticket exit
- Auto-cutter 1Ml cuts
- Blinking coloured LED button
- Size: 140mm (L) x150mm (W) x117mm (H)



In line with our aim of continuous product improvement, we reserve the right to make modifications at any time and without prior notice to the products as illustrated in the above photographs - N.81190384/A - 1233 - **netstudio**



Società Cooperativa Bilancai Campogalliano
 41011 Campogalliano (MO) Italy - Via S. Ferrari, 16
 Tel. +39 059 / 89.36.11 - Fax +39 059 / 52.70.79
 www.coopbilancai.it - cb@coopbilancai.it

Agent / Dealer