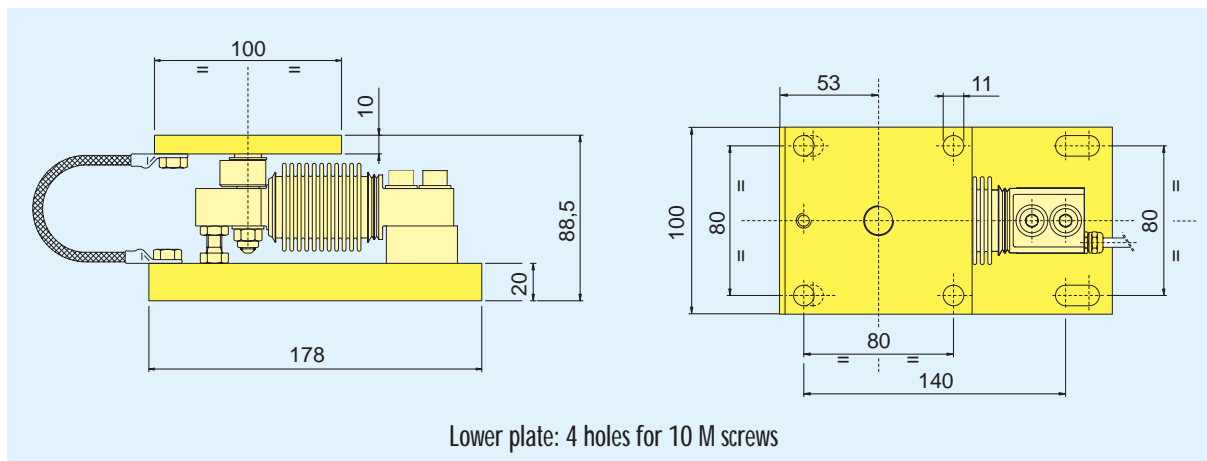


GPA-NF



Lower plate: 4 holes for 10 M screws

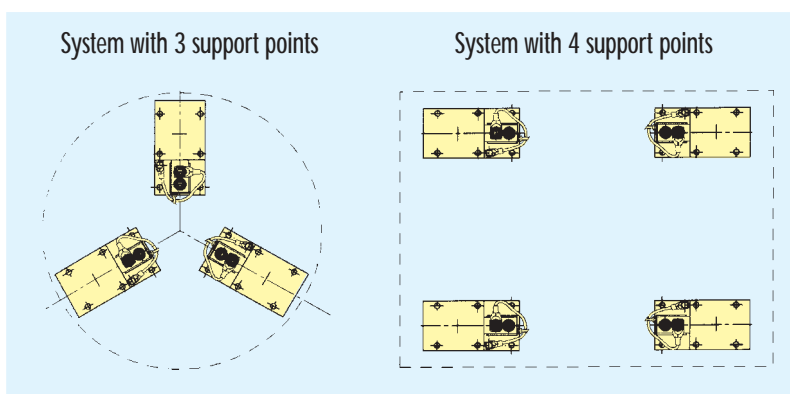
General Characteristics

The GPA-NF weighing kits are complete with mechanical accessories for compensating settling and/or thermal expansion. The weighing units, complete with junction boxes, are calibrated at our works using sample masses.

| Model | Load capacity (kg) | Weight each (kg) |
|------------|--------------------|------------------|
| GPA-NF 50 | 50 | 4,15 |
| GPA-NF 100 | 100 | 4,15 |
| GPA-NF 200 | 200 | 4,15 |

Technical Characteristics

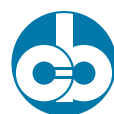
Kit and load cells in stainless steel.
Each module is equipped with a flexure type load cell with welded bellows (protection class IP67). The load cell is protected against possible overloading by means of an appropriate limiting device.



Assembly Diagram

Optionals

EC approved



**SOCIETA' COOPERATIVA
BILANCI**

Weighing Instruments and Technologies

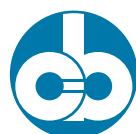
Società Cooperativa Bilanciai Campogalliano a.r.l.
41011 Campogalliano (MO) Italy - Via S. Ferrari, 16
Tel. ++39/059.89.36.11 r.a. - Fax ++39/059.52.70.79
Internet: www.coopbilanciai.it
E.mail: cb@coopbilanciai.it



Weighing Kits



GPA-NF Model



SOCIETÀ COOPERATIVA
BILANCI AI