

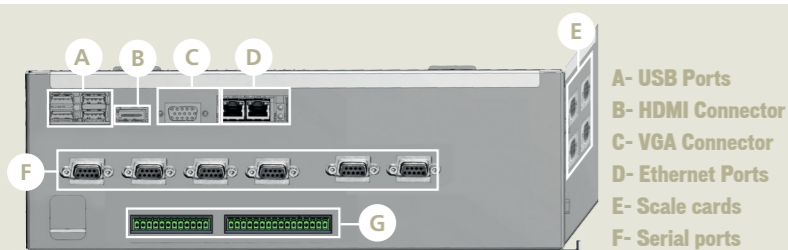
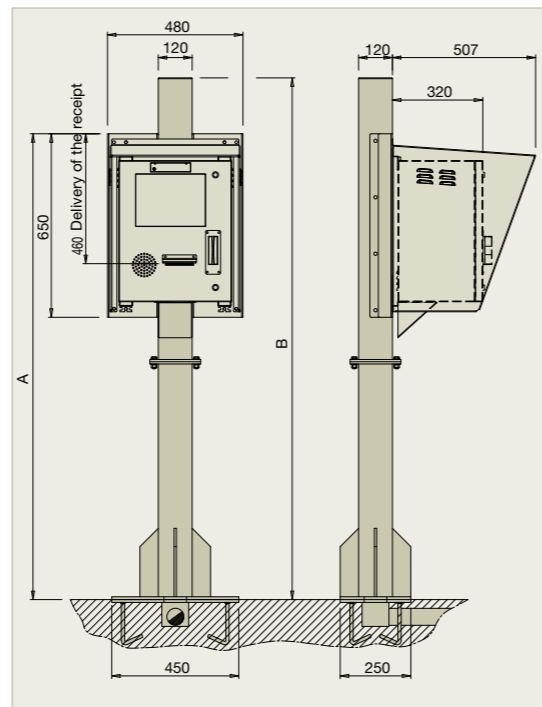
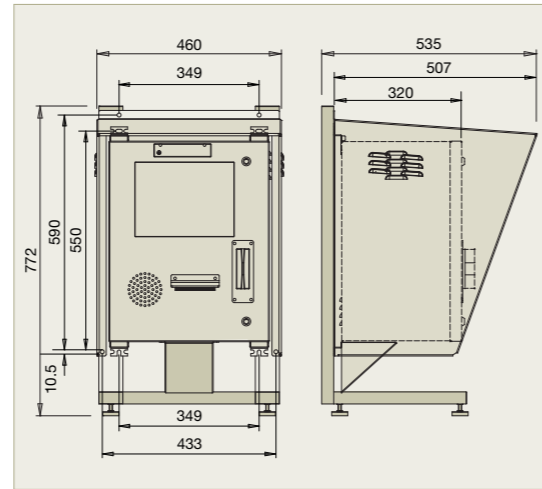
DD 2060X-Series weighing indicator

STANDARD CHARACTERISTICS

- 7 DIGITAL INPUTS / 7 DIGITAL OUTPUTS for impulse control and counting
- Up to 6 serial communication ports: RS232, RS422, (ESD protection: air gap ±15kV, contact ±8kV)
- Weighing software components approved for Welmec 7.2 U o P extensions L, T, D, S and Welmec 2.3
- Graphic LCD display, 800 x 600, 12.1"
- Sun Light Readable capacitive touchscreen
- AISI304 stainless steel container
- Touchscreen keyboard or external USB keyboard for data entry
- Up to 4 scale cards
 - with analogue cells: up to 12 each 350 ohm scale
 - with digital cells: 16 load cells in total
- HDMI port/display (multidisplay support)
- 3 USB ports, Ethernet port (10/100/1000 Mbps), second Ethernet port
- Multilingual interface
- ELECTRONIC CARD, Intel BYT Atom E3845 1.91GHz, heat sink
- SDRAM 4GB -20+85°C
- 64 GB SSD disk -40+85°C
- Windows 10/IoT Enterprise
- Available graphic elements: DirectX11, OpenGL3.2, Open CL 1.2 HW
 - Decoder: H.264, VC-1, WMV9, MJPEG and VP8. HW
 - Encoder: H.264
- Operating temperature -10+50°C

OPTIONALS

- Barcode readers (two-dimensional, QRcode, etc.)
- RFID reader
- OCR number plate reading system
- Fingerprint (biometric) reader
- Document scanner
- Receipt printer
- Context documentation camera
- Intercom (VoIP)
- Audio card
- Digital signature kit
- Field bus



- A- USB Ports
- B- HDMI Connector
- C- VGA Connector
- D- Ethernet Ports
- E- Scale cards
- F- Serial ports
- G- I/O cards

Can be integrated with any application thanks to additional cards
Optionals that offer more functions

With the aim of improving our products from a technological point of view, we reserve the right to at any time without prior notice make changes and modifications to the products shown in the above photographs - N. 81190484/B - 1448 - netstudio



DD2060 X-Series

Self-service weighing indicator with colour touchscreen



A PC FOR WEIGHING: DD 2060 X SERIES,
POWERFUL, VERSATILE, MULTIFUNCTION AND AUTONOMOUS




Società Cooperativa Bilancai Campogalliano
41011 Campogalliano (MO) Italy - Via S. Ferrari, 16
Tel. 059 / 89.36.11 - Fax 059 / 52.70.79
www.coopbilancai.it - cb@coopbilancai.it

Agent / Dealer



DD 2060X-Series weighing indicator

The DD2060X-Series programmable indicator with  Windows 10 stands out for its operational speed, programmability and superior performance, for both current and future needs.

It is available with various software applications designed for all those companies that need to integrate weighing and logistics operations: automation of plant access control, monitoring of the loading and unloading of materials, data sharing with your management systems.

Intuitive and connected, it operates at the speed of your thought

The DD2060X-Series offers innovative connection solutions by easily integrating weighing operations and data with management systems (ERP) or other business processes. The innovative design combined with the robust, high-visibility 12.1" colour touchscreen sunlight-readable display allows users to be guided quickly and easily through the necessary operating sequences. Intuitive graphics, hotkeys, voice control, integrated intercom (VOIP) and cameras make it easy to fully control the weighing process.

APPROVED FOR WEIGHING OPERATIONS for the purpose of COMMERCIAL TRANSACTIONS according to directive 2014/31/EU and OIML R76.

Data sharing with ERP



SECTORS



FOOD



IRON AND STEEL



ENVIRONMENT-FRIENDLY WASTE



MANUFACTURING



TRANSPORT



PETROCHEMICAL



BUILDING AND QUARRIES

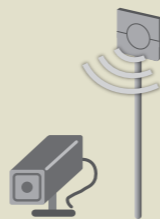


AGRICULTURE

ACCESSORIES



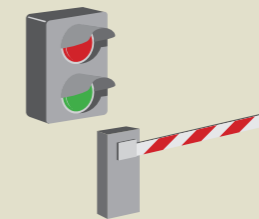
Illuminated Panel



Identification: context cameras, OCR, UHF antenna



Readers: barcode, magnetic, proximity



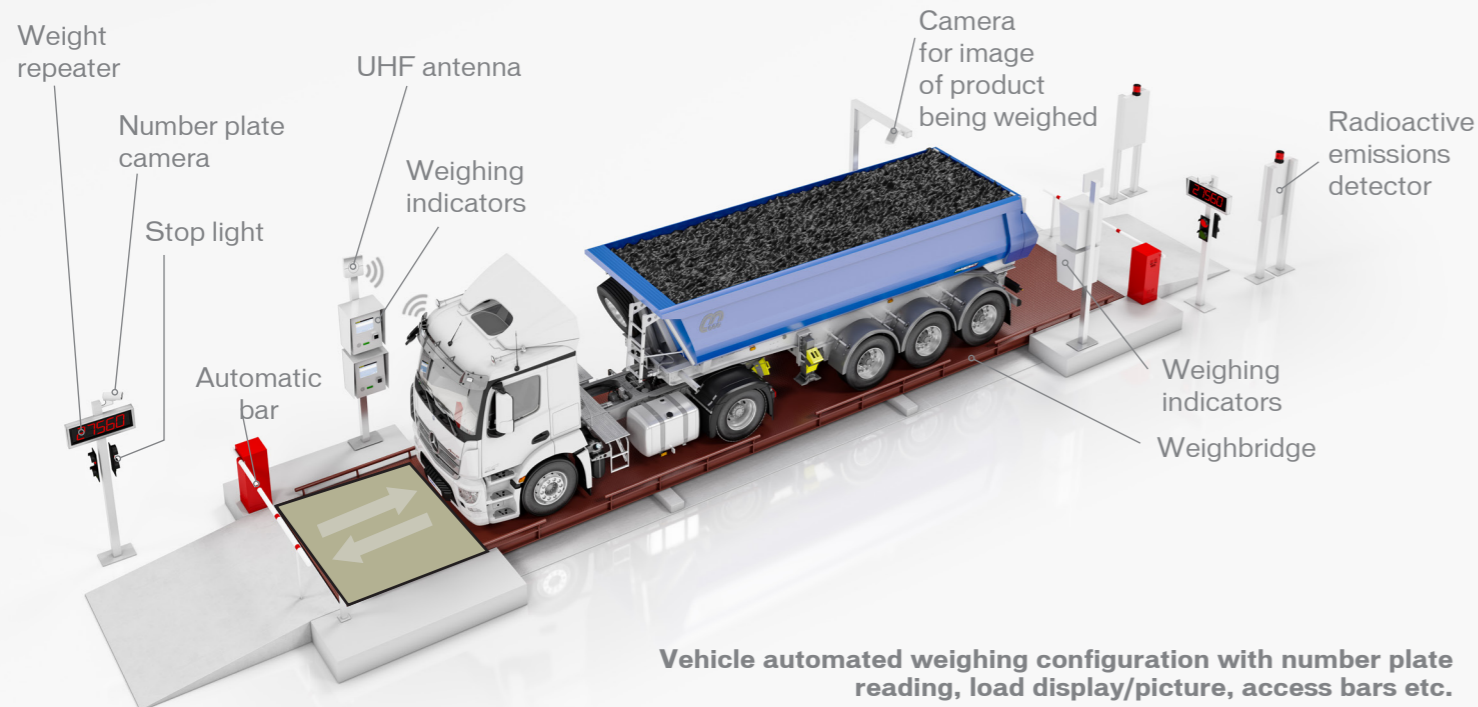
Traffic lights and bars



Intercom (VoIP)



POS



Vehicle automated weighing configuration with number plate reading, load display/picture, access bars etc.

Strong and flexible, it grows with your company.

Solid and modular, it offers a performance that meets all current and future needs. It is designed to grow together with the company's evolving needs thanks to hardware and software expansions.

- Column, wall or table version
- High-resolution 12.1" capacitive touchscreen display with high visibility even when exposed to direct sunlight (sunlight readable)
- Waterproof AISI 304 stainless steel casing as standard
- Thermoregulation system
- Integrable printer, readers and intercom

INTEGRATED AND MULTICHANNEL, IT MAKES COMMUNICATING EASY

- Ethernet TCP/IP, Wi-Fi, multiple USBs and RS-232/422 as standard, 4G, GPRS, GSM
- Direct control and communication over a LAN, WAN or Cloud network

CATEGORY

